

Project: _____	AIA# _____
Item #: _____ Qty: _____	SIS# _____
Model #: _____	

Slide Top Coolers



ST48-S



4004503
 Conforms to NSF/ANSI STD 7 and UL STD 471
 Certified to CSA STD C22.2 No. 120
 Meets NSF 7 requirements for closed container products

Size:
 24 = 24" One Door
 36 = 36" One Door
 48 = 48" Two Door
 60 = 60" Two Door
 72 = 72" Three Door
 96 = 96" Four Door

Finish Options:
 B = Black vinyl-clad steel
 S = All stainless steel

EP 5016978
 Energy Performance
 Verified / Rendement
 Énergétique Vérifié



Standard Features

- Self-contained refrigeration
- All stainless steel interior with radius corners is easy to keep clean
- One-piece integral top and mullion design
- Easy to plan exterior dimensions: 24" front to back and 24", 36", 48", 60", 72", or 96" left to right
- Exterior available with black vinyl-clad steel front and sides and galvanized steel back, or stainless steel front, sides, and back
- Automatic defrost cycle
- Automatic condensate evaporator - no drain connection required
- Nine foot grounded cord & plug included (exits left rear)
- Optional 3-3/4" casters or 6" legs are available
- Door lock(s)

Specifications

Electrical

- 120V, 1 phase, 60 Hz
- 4.5 full load amps
- Dedicated 15 amp circuit is recommended
- Includes a 9-foot NEMA 5-15P grounded cord & plug which exists the left rear of the refrigeration compartment
- Refrigeration
- 1/6 HP
- R290 refrigerant, 4.41 oz
- 1,300 BTU/hr Refrigeration Capacity (0.11 Tons)
- 1,840 BTU/hr heat rejection
- Operating range: 34°F (1°C) to 40°F (4°C)
- Fin & tube evaporator with forced air circulation



5-15P

Plumbing

- Automatic condensate evaporator. No drain connection required

Legs

- Optional 6" legs, specify accessory #STLS-4 (ST24, ST36, ST48, ST60) or #STLS-6 (ST72, ST96)
- 1-5/8" diameter
- Stainless steel bullet feet

Partitions

- ST24 includes one vertical wire partition
- ST36 includes two vertical wire partitions
- ST48 includes three vertical wire partitions
- ST60 and ST72 include four vertical wire partitions
- ST96 includes five vertical wire partitions

Capacity

- 24" model = 144 long neck bottles (6.0 cases)
- 36" model = 226 long neck bottles (9.4 cases)
- 48" model = 330 long neck bottles (13.8 cases)
- 60" model = 478 long neck bottles (19.9 cases)
- 72" model = 610 long neck bottles (25.4 cases)
- 96" model = 826 long neck bottles (34.4 cases)

Materials

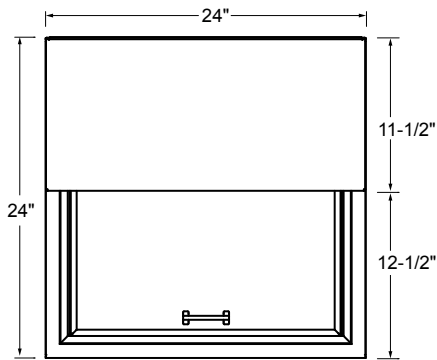
- Stainless steel parts include: top, door, interior and optional legs. Also, front and sides and back on '-S' models
- Black vinyl-clad steel parts include: front and sides on '-B' models
- Galvanized steel parts include: base on all models and exterior back on '-B' models

Glastender, Inc. • 5400 N Michigan Rd • Saginaw, MI • 48604-9780 989.752.4275 • 800.748.0423 • Fax 989.752.4444 www.glastender.com	Approval/Notes:
--	-----------------

Specifications subject to change without notice. For current specifications please visit our website.

Slide Top Coolers

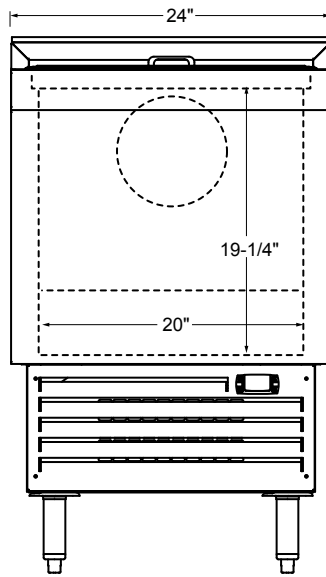
Dimensional Information



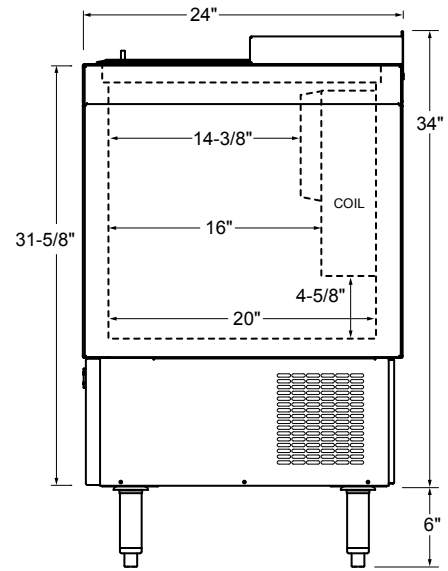
PLAN VIEW

ST24*

*ALL MODELS SHOWN WITH OPTIONAL 6" LEGS



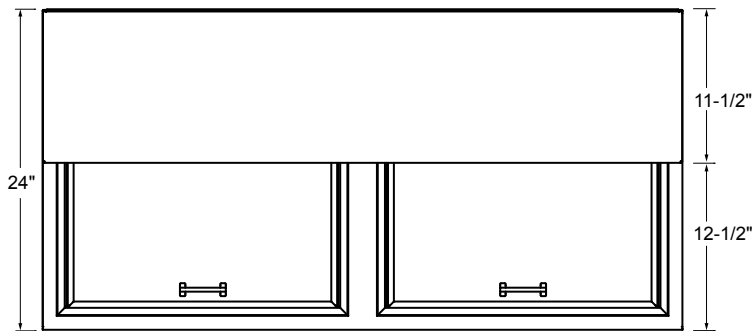
FRONT ELEVATION



SIDE ELEVATION

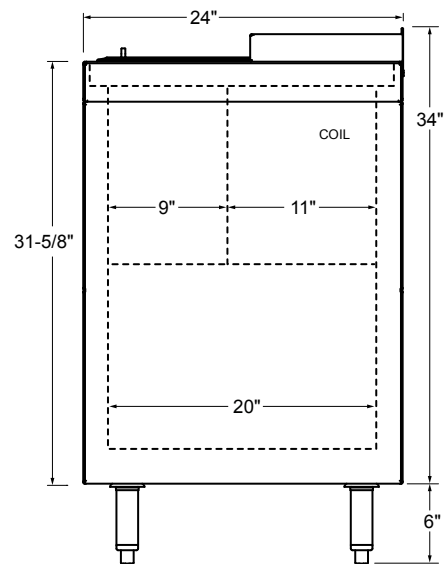
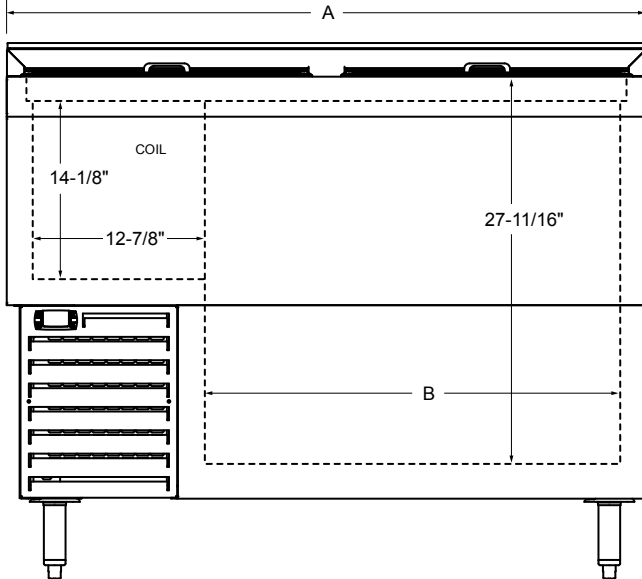
PLAN VIEW

ST36*, ST48*, ST60*, ST72*, ST96*



FRONT ELEVATION

Model	A	B	No. of Doors
ST36	36"	19-1/8"	1 Large
ST48	48"	31-1/8"	2 Standard
ST60	60"	43-1/8"	1 Large, 1 Standard
ST72	72"	55-1/8"	3 Standard
ST96	96"	79-1/8"	4 Standard



SIDE ELEVATION