

Project: _____	AIA# _____
Item #: _____ Qty: _____	SIS# _____
Model #: _____	

Wet Waste Sinks

SWA-12, SWA-18, SWB-12, SWB-18



SWB-12

Standard Features

- Manufactured with total welded construction to meet NSF® standards
- All stainless steel construction
- One-piece seamless top and backsplash featuring 1/4" radius corners for easy cleaning
- Adjustable stainless steel bullet feet
- 9-1/4" by 11-1/2" by 6" deep sink bowl with hot and cold water faucet
- Faucets are standard and ship mounted
- Includes a lift-out perforated plastic wet waste strainer



Intertek

4004503
 Conforms to ANSI/NSF STD 2
 Certified to CSA/CAN STD B45.4

All faucets are NSF/ANSI 61, Annex G low lead compliant

Specifications

Drain

- 1-1/2" I.P.S. Threaded drain will fit Dearborn part #8033 slipnut and part #W-573P washer

Faucet

- Deck mount on 4" centers, accepts 3/8" sink leads, hot and cold water connections required (excluding Model SWA-12)
- Model SWA-12: Backsplash mounted on 4" centers, accepts 3/8" sink leads, hot and cold water connections required
- NSF/ANSI 61, 372 low lead compliant

Sink Bowl Dimensions

- 9-1/4" by 11-1/2" by 6" deep

Legs

- 1-5/8" diameter, 16 gauge stainless steel
- Stainless steel bullet feet

Materials

- 20 gauge stainless steel parts include: all components unless otherwise noted

⚠ WARNING: The plastic wet waste strainer included with this product can expose you to chemicals including Bisphenol A (BPA), which is known to the State of California to cause birth defects or other reproductive harm. For more information, go to www.P65Warnings.ca.gov. **Part #03000483**

Warning applies to State of California only.

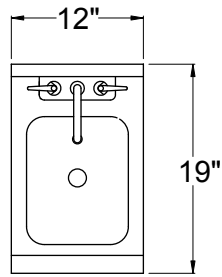
To view underbar installation instructions, please visit:
https://www.glastender.com/PDF/F-750-165_Underbar_Installation_Instructions.pdf
 To view cleaning and care instructions, please visit:
https://www.glastender.com/PDF/F-423-011_ss_clean_care.pdf

<p>Glastender, Inc. • 5400 N Michigan Rd • Saginaw, MI • 48604-9780 989.752.4275 • 800.748.0423 • Fax 989.752.4444 www.glastender.com</p>	<p>Approval/Notes:</p>
<p>Specifications subject to change without notice. For current specifications please visit our website.</p>	

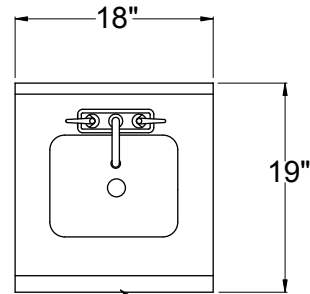
Wet Waste Sinks

Dimensional Information

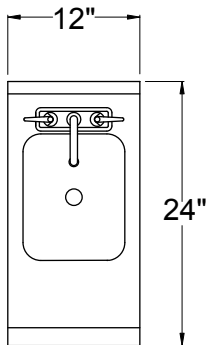
PLAN VIEWS



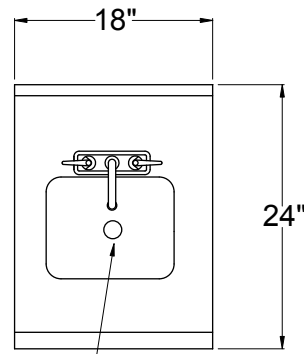
SWA-12



SWA-18

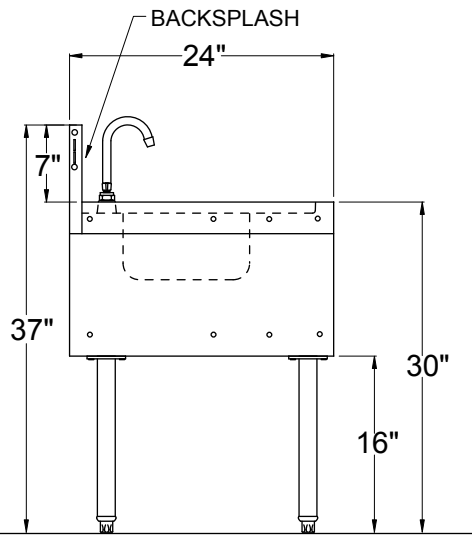
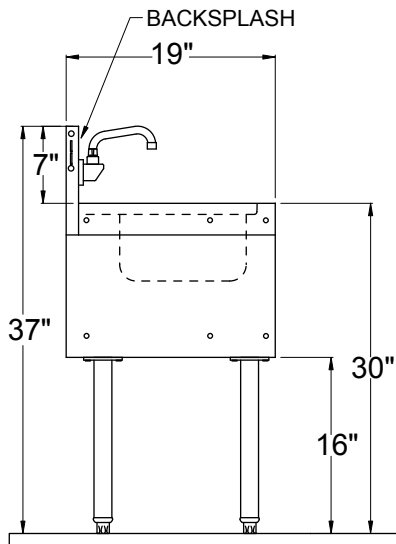


SWB-12



SWB-18

SIDE ELEVATIONS



"A" DEPTH SIDE ELEVATION

(12" wide unit shown with backsplash mounted faucet. 18" wide units have deck mounted faucet.)

"B" DEPTH SIDE ELEVATION