



TSB-60-S



**Intertek**

4004503  
 Conforms to ANSI/NSF STD 2  
 Certified to CSA/CAN STD B45.4

**All faucets are NSF/ANSI 61, Annex G low lead compliant**

To view underbar installation instructions, please visit: [https://www.glastender.com/PDF/F-750-165\\_Underbar\\_Installation\\_Instructions.pdf](https://www.glastender.com/PDF/F-750-165_Underbar_Installation_Instructions.pdf)  
 To view cleaning and care instructions, please visit: [https://www.glastender.com/PDF/F-423-011\\_ss\\_clean\\_care.pdf](https://www.glastender.com/PDF/F-423-011_ss_clean_care.pdf)

Project: _____	AIA# _____
Item #: _____ Qty: _____	SIS# _____
Model #: _____	

## Three Compartment Sinks

(see reverse side for model numbers)

### Standard Features

- All stainless steel construction & stainless steel bullet feet
- 18 gauge stainless steel one-piece seamless top, front rail and backsplash featuring 1/4" radius corners for easy cleaning
- 16 gauge stainless steel fabricated sink bowls
- 11" by 14" by 10-1/4" deep sink bowl with hot and cold water faucet
- Faucets are standard and ship mounted
- Extra wide sink bowl easily accommodates brush washer
- 19" deep models have a backsplash mounted faucet
- Models with integral drainboards have lift-out stainless steel perforated insert for better air circulation
- Perforated stainless steel inserts are available to cover sinks when not in use
- One over-flow tube per sink bowl included

Specifications	Product Information
----------------	---------------------

**Drains**

- 1-1/2" I.P.S. Threaded drain will fit Dearborn part #8033 slipnut and part #W-573P washer.

**Faucet**

- "A" - 19" deep: backsplash mounted on 4" centers, 3/8" copper leads provided, hot and cold water connections required
- "B" - 24" deep: deck mounted on 4" centers, accepts 3/8" sink leads, hot and cold water connections required

**Sink Bowl Dimensions**

- 11" by 14" by 10-1/4" deep

**Legs**

- 1-5/8" diameter 16 gauge stainless steel
- Stainless steel bullet feet

**Materials**

- 20 gauge stainless steel parts include: all components unless otherwise noted
- 18 gauge stainless steel parts include: one-piece top, front rail and back splash
- 16 gauge stainless steel parts include: sink bowls

Three Compartment Sinks feature an exclusive one-piece 18 gauge stainless steel top that is seamless from the front rail all the way through the backsplash. Drainboards, where included, are a seamless and integral part of the worksurface. The seamless welded bowls are 16 gauge fabricated stainless steel. An 'L' or 'R' suffix in the model number designates the location of the sink compartment as left or right when there is only one drainboard.

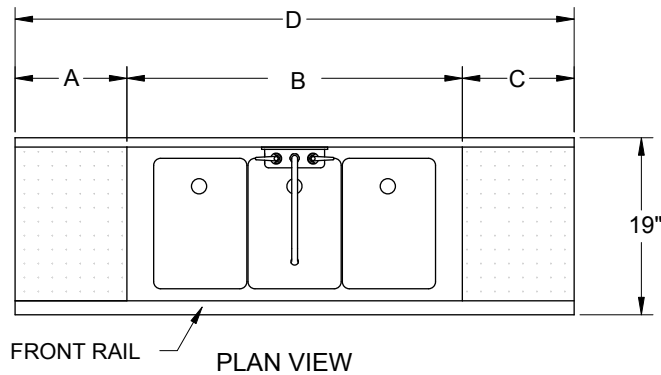
<b>Glastender, Inc.</b> • 5400 N Michigan Rd • Saginaw, MI • 48604-9780 989.752.4275 • 800.748.0423 • Fax 989.752.4444 <a href="http://www.glastender.com">www.glastender.com</a>	Approval/Notes:
---	-----------------

Specifications subject to change without notice. For current specifications please visit our website.

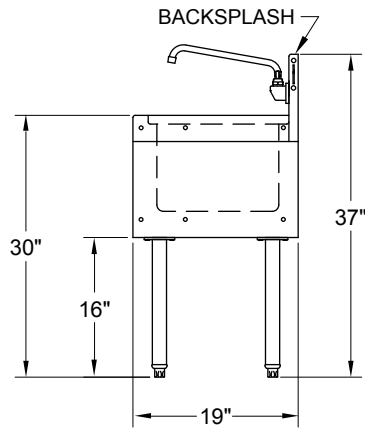
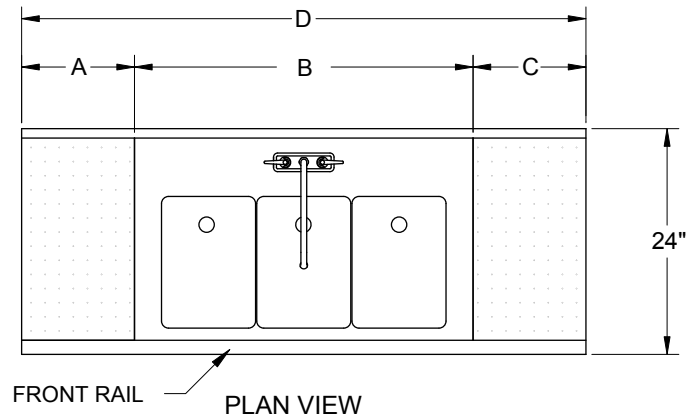
# Three Compartment Sinks

## Dimensional Information

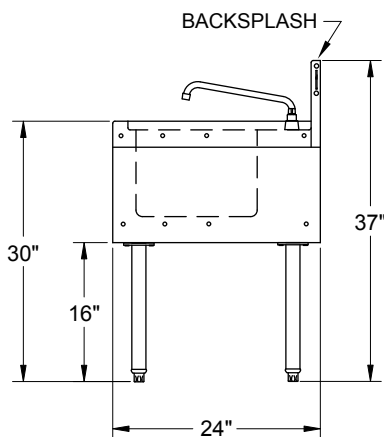
“A” Depth-19” Deep Models



“B” Depth-24” Deep Models



“A” Depth-19” Deep Models



“B” Depth-24” Deep Models

19" Deep Models	24" Deep Models	A	B	C	D	No. of Sink Bowls	Sink Location
TSA-36-S	TSB-36-S	N/A	36"	N/A	36"	3	Center
TSA-48L-S	TSB-48L-S	N/A	36"	12"	48"	3	Left
TSA-48R-S	TSB-48R-S	12"	36"	N/A	48"	3	Right
TSA-60-S	TSB-60-S	12"	36"	12"	60"	3	Center
TSA-60L-S	TSB-60L-S	N/A	36"	24"	60"	3	Left
TSA-60R-S	TSB-60R-S	24"	36"	N/A	60"	3	Right
TSA-66L-S	TSB-66L-S	N/A	36"	30"	66"	3	Left
TSA-66R-S	TSB-66R-S	30"	36"	N/A	66"	3	Right
TSA-72-S	TSB-72-S	18"	36"	18"	72"	3	Center
TSA-84-S	TSB-84-S	24"	36"	24"	84"	3	Center
TSA-96-S	TSB-96-S	30"	36"	30"	96"	3	Center