

Glastender®

A family company manufacturing in the USA

www.glastender.com



C1FB60
with compressor right,
stainless doors/drawers,
and stainless top



Intertek Intertek

4004503

Conforms to NSF/ANSI STD 7 and UL STD 471

Certified to CSA STD C22.2 No. 120

Listed to NSF Standard 7 for open food storage

Standard Features

- Locking door(s) (drawers sections do not lock)
- LED interior lighting
- Heated mullion to minimize condensation
- Evaporator above compressor compartment to maximize storage capacity
- Any door opening may be converted to a drawer section or to draft dispensing
- Available without a finished top for integrated installation below customer supplied bar top
- 180° swinging door

Specifications

Electrical

- 120V, 1 phase, 60 Hz
- Full load amps - C1FB32, C1FB36 - 3.0, C1FB52, C1FB60, C1FB72, C1FB84, C1FB92, C1FB108 - 7.0
- Dedicated 15 amp circuit is required
- Includes a 6 foot NEMA 5-15P grounded cord and plug which exits the back of refrigeration compartment



5-15P

Refrigeration

- R290 - 125 grams
- Compressor - C1FB32, C1FB36 - 1/8HP, C1FB52, C1FB60, C1FB72, C1FB84, C1FB92, C1FB108 - 1/4HP
- Heat rejection - C1FB32, C1FB36 - 1228 BTU/Hr, C1FB52, C1FB60, C1FB72, C1FB84, C1FB92, C1FB108 - 2867 BTU/Hr

Operating Range

- 34°F (1°C) to 40°F (4°C)

Project: _____	AIA# _____
Item #: _____ Qty: _____	SIS# _____
Model #: _____	

Coolers One Zone, Front Serviced, Bar Profile

C1FB32, C1FB36, C1FB52, C1FB60,
C1FB72, C1FB84, C1FB92, C1FB108

C1FB Configurable Options

Temperature:

- Beer/Food - 34°F to 40°F
- White wine - 50°F to 55°F
- Red wine - 60°F to 65°F

Refrigeration Compartment

Location:

- Left or Right

Refrigeration Compartment

Cover Finish:

- Black vinyl-clad
- Unlaminated
- Stainless steel
- Jeweled stainless
- Laminated

Door/Drawer Style & Finish:

- Door - Black vinyl-clad
- Door - Unlaminated
- Door - Stainless steel
- Door - Jeweled stainless
- Door - Laminated
- Door - Glass, black vinyl-clad
- Door - Glass, stainless steel
- Door - Glass, jeweled stainless
- Door - Glass, laminated
- Drawers - Black vinyl-clad
- Drawers - Stainless steel
- Drawers - Jeweled stainless
- Drawers - Laminated

Door Hinge Location (specify for each door):

- Left or Right

Shelving (specify per door section):

- Three adjustable shelves
- Keg rack

Door Handle:

(Note: drawers come with a stainless pull tab handle and no lock)

- Polished stainless
- Polished brass
- Stainless pull tab

Top Style:

- No finished top
- Stainless top
- Laminated top

Left and Right Side Finish:

- Black vinyl-clad
- Stainless steel
- Laminated

Back Finish:

- Galvanized steel
- Stainless steel

LED Lighting Style:

- Bright white (7,000k)
- Warm white (3,500k)
- Amber (2,700k)
- Blue

See our Product Directory for a complete list of cooler accessories.

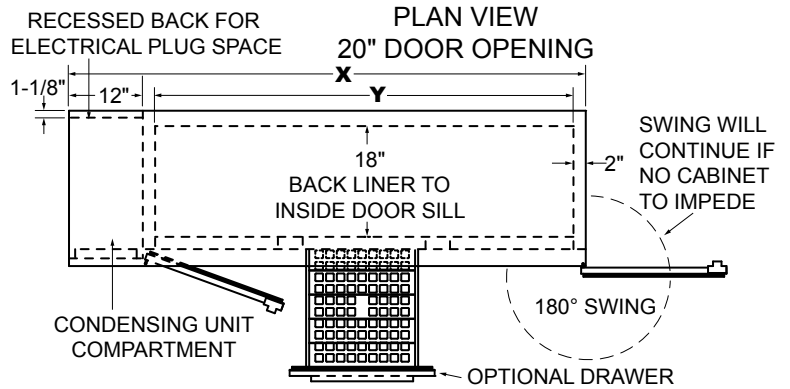
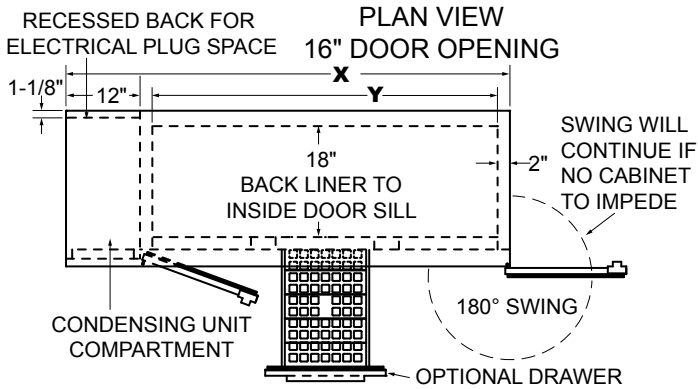
Glastender, Inc. • 5400 N Michigan Rd • Saginaw, MI • 48604-9780
989.752.4275 • 800.748.0423 • Fax 989.752.4444
www.glastender.com

Approval/Notes:

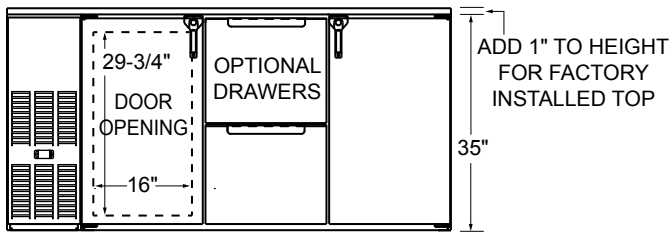
Specifications subject to change without notice. For current specifications please visit our website.

Coolers - One Zone, Front Serviced, Bar Profile

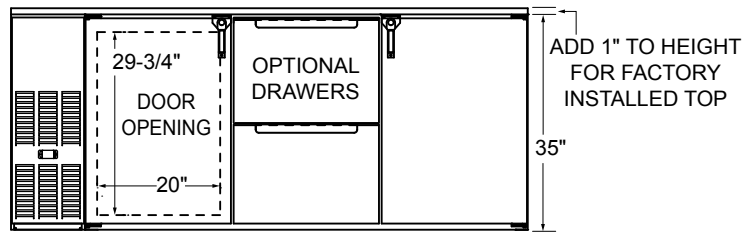
Dimensional Information



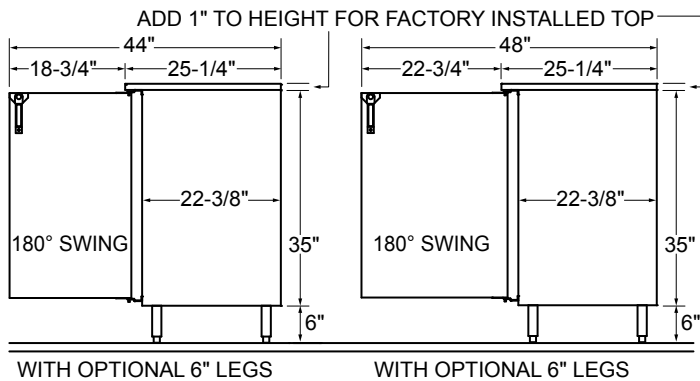
FRONT VIEW 16" DOOR OPENING



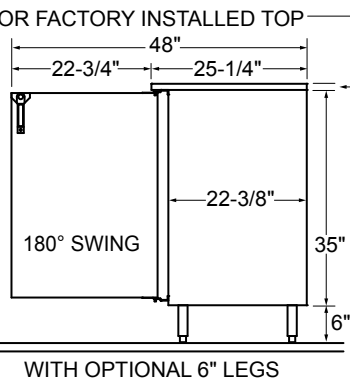
FRONT VIEW 20" DOOR OPENING



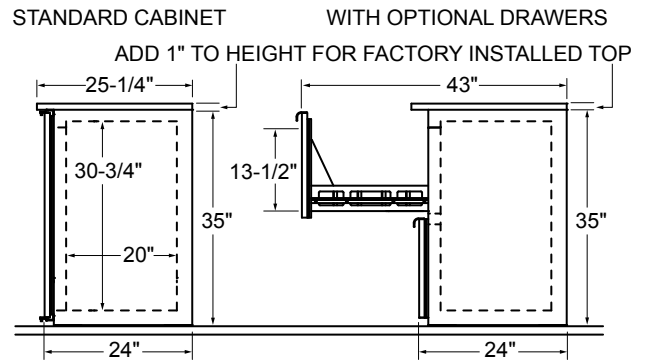
SIDE VIEW 16" DOOR OPENING



SIDE VIEW 20" DOOR OPENING



SIDE VIEW



Note: Available with compressor left or right. Compressor left model shown.

16" Door Opening Models	Capacities						
	X	Y	DOORS	12 oz. bottles, cases	750ml wine bottles*	1/2 barrel kegs	1/6 barrel kegs
C1FB32	32"	16"	1	5.8	57	N/A	2
C1FB52	52"	36"	2	13.3	116	N/A	7
C1FB72	72"	56"	3	21.1	188	N/A	11
C1FB92	92"	76"	4	28.8	260	N/A	15

20" Door Opening Models	Capacities						
	X	Y	DOORS	12 oz. bottles, cases	750ml wine bottles*	1/2 barrel kegs	1/6 barrel kegs
C1FB36	36"	20"	1	7.8	70	1	4
C1FB60	60"	44"	2	17.3	164	2	8
C1FB84	84"	68"	3	27.1	248	4	14
C1FB108	108"	92"	4	36.8	332	5	18



5400 N Michigan Rd • Saginaw, MI • 48604-9780
 989.752.4275 • 800.748.0423 • Fax 989.752.4444
 www.glastender.com

*Wine bottle capacity is based on shelves. Drawers will hold less.

Printed in USA