



DHSB-12



HSA-12-D



Project: _____	AIA# _____
Item #: _____ Qty: _____	SIS# _____
Model #: _____	

Single Bowl Sinks

Hand Sink Models: HSA-12, HSA-12-D, HSA-18, HSB-12, HSB-12-D, HSB-12-AD, HSB-18, DHSA-18, DHSB-12, DHSB-18
 Wet Waste Sink Models: SWA-12, SWA-18, SWB-12, SWB-18

Standard Features

- Manufactured with total welded construction to meet NSF® standards
- All stainless steel construction
- One-piece seamless top and backsplash featuring 1/4" radius corners for easy cleaning
- Adjustable stainless steel bullet feet
- 9-1/4" by 11-1/2" by 6" deep sink bowl with hot and cold water gooseneck faucet
- Faucets are standard and ship mounted
- Models HSA-12-D, HSB-12-D and HSB-12-AD feature a soap dispenser and front skirt mounted C-fold paper towel dispenser
- Models DHSA-18, DHSB-12 and DHSB-18 feature a soap dispenser and hinged front access door to conceal C-fold paper towel dispenser
- All wet waste sink models include a lift-out perforated plastic wet waste strainer
- Soap dispenser is easy refilled from above, no need to crawl under equipment

Specifications	Product Information
-----------------------	----------------------------

Drain

- 1-1/2" I.P.S. Threaded drain will fit Dearborn part #8033 slipnut and part #W-573P washer.

Faucet

- Deck mount on 4" centers, accepts 3/8" sink leads, hot and cold water connections required

Sink Bowl Dimensions

- 9-1/4" by 11-1/2" by 6" deep

Legs

- 1-5/8" diameter, 16 gauge stainless steel
- Stainless steel bullet feet

Materials

- 20 gauge stainless steel parts include: all components unless otherwise noted
- 18 gauge stainless steel parts include: leg pads on DHS models

Single bowl sinks are available as hand sinks and wet waste sink models. Hand sink models HSA-12, HSA-18, HSB-12 and HSB-18, feature a standard stainless steel bowl and mounted faucet.

Hand sink models HSA-12-D, HSB-12-D and HSB-12-AD include a soap dispenser and front skirt mounted C-fold paper towel dispenser.

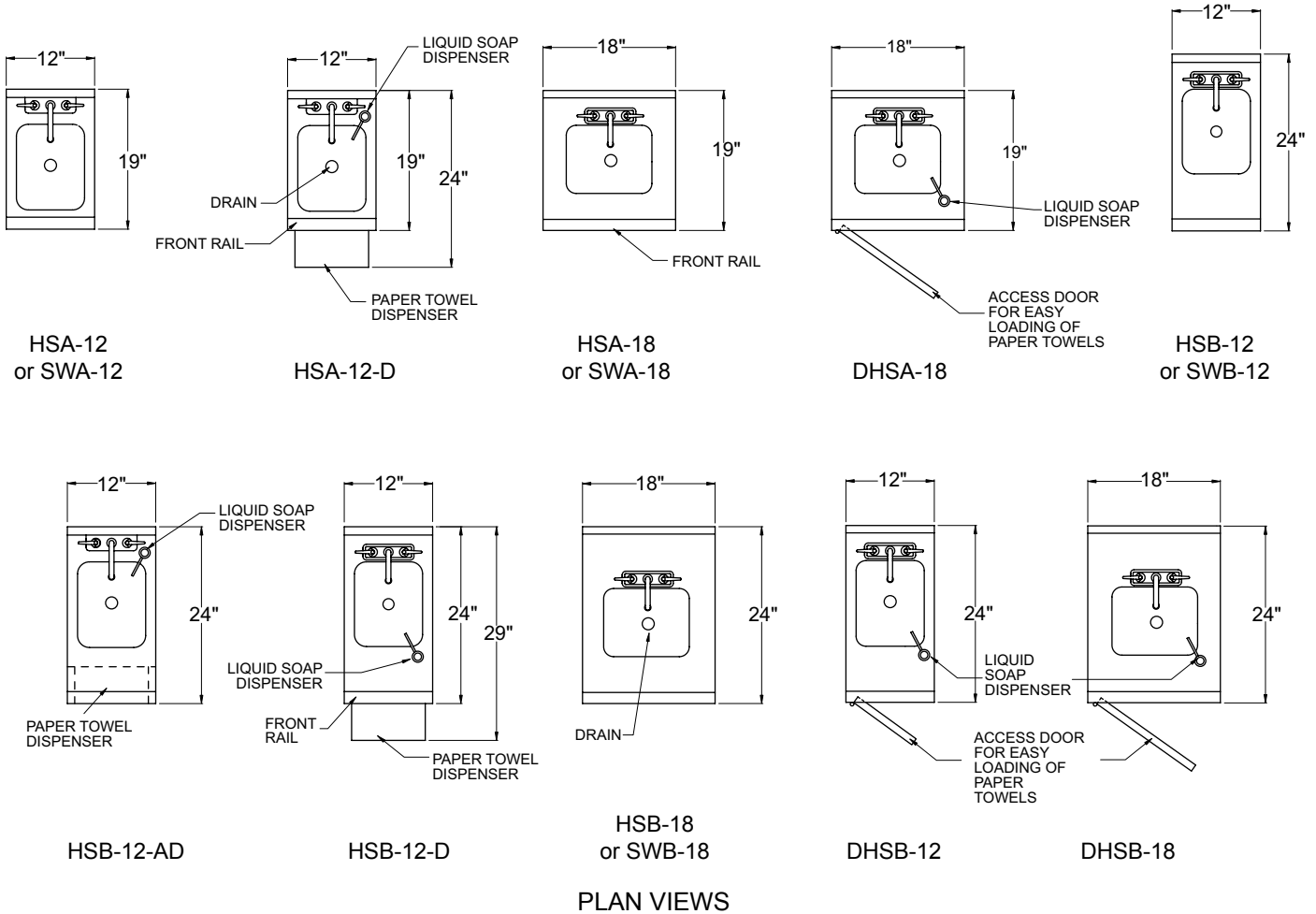
Hand sink models DHSA-18, DHSB-12 and DHSB-18 feature a soap dispenser and hinged front access door to conceal C-fold paper towel dispenser. Paper towels are easily accessed below the door. The access door is only opened for re-loading paper towels into the dispenser.

Wet waste sink models SWA-12, SWA-18 and SWB-18 include a lift-out perforated plastic wet waste strainer.

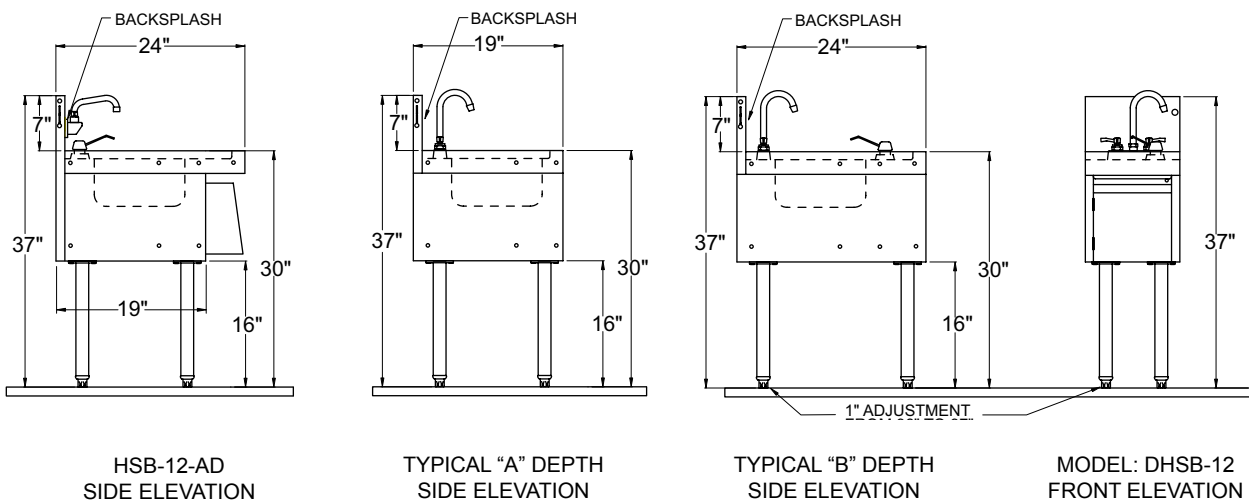
Glastender, Inc. • 5400 N Michigan Rd • Saginaw, MI • 48604-9780 989.752.4275 • 800.748.0423 • Fax 989.752.4444 www.glastender.com	Approval/Notes:
Specifications subject to change without notice. For current specifications please visit our website.	

Single Bowl Sinks

Dimensional Information



PLAN VIEWS



FRONT AND SIDE ELEVATIONS