



SSR-24



DSR-24



Project: _____	AIA# _____
Item #: _____ Qty: _____	SIS# _____
Model #: _____	

Speed Rails & Locking Covers

(model numbers on reverse side)

Standard Features

- All stainless steel construction
- Open step-and-rail design for easy cleaning and better view of bottles
- Radius corners on steps and rails for easy cleaning
- ABS sound deadening covers
- Long underbar skirt allows speed rails to mount low enough that bottles do not rise above deck surface and inhibit work-flow
- Single and double step models
- Locking covers are available (see reverse side for model numbers)
- Locking covers for single speed rails include built-in storage hangers when ordered with original equipment
- Available in custom lengths up to 84"
- Rails have a clear snap-on liquor identification label cover

Specifications

Materials

- 20 gauge stainless steel parts include: steps, rails, and locking covers
- 14 gauge stainless steel parts include: ends
- ABS step and rail covers



SSR-36 with SSRC-36 installed



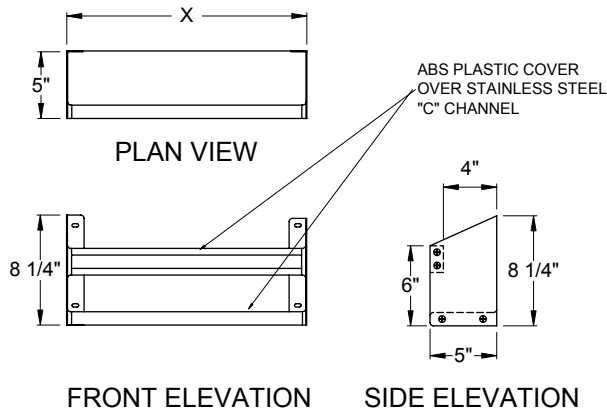
SSR-36 with SSRC-36 in storage below

Glastender, Inc. • 5400 North Michigan Road • Saginaw, MI • 48604-9780 989.752.4275 • 800.748.0423 • Fax 989.752.4444 www.glastender.com	Approval/Notes:
<small>Specifications subject to change without notice. For current specifications please visit our website.</small>	

Speed Rails and Locking Covers

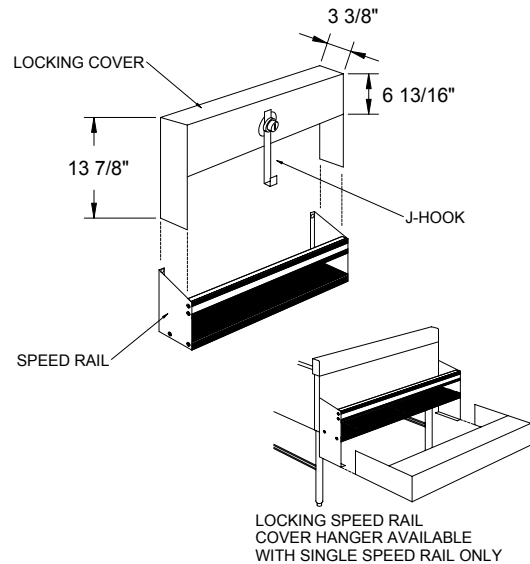
Dimensional Information

Single Speed Rails are available in one inch increments from 12" to 84" in length. The model number designation is SSR- X , where X = the length of the unit in inches. Speed rails over 42" also have a center support.



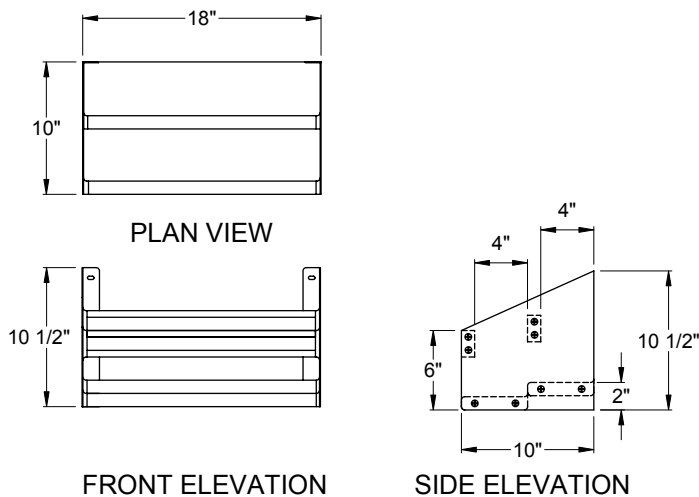
SSR- X

Single Speed Rail Locking covers are available in one inch increments from 12" to 42". The model number designation is SSRC- X , where X = the length of the unit in inches. Use multiple covers for speed rails longer than 42". (NOTE: 24" and 29" deep Liquor Displays require multiples of four and five locking covers, respectively)



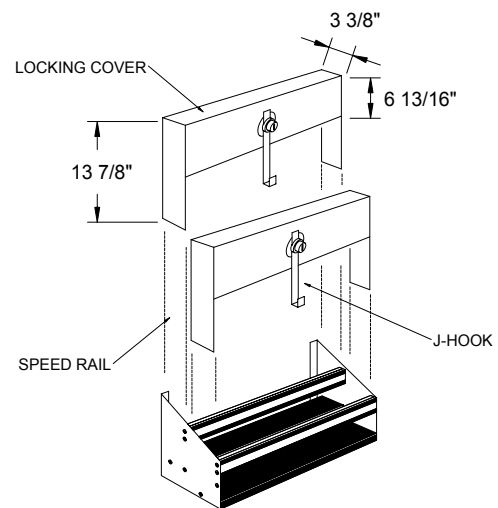
SSRC- X

Double Speed Rails are available in one inch increments from 12" to 84" in length. The model number designation is DSR- X , where X = the length of the unit in inches. Double speed rails over 42" also have a center support.



DSR- X

Double Speed Rail Locking covers are available in one inch increments from 12" to 42". The model number designation is DSRC- X , where X = the length of the unit in inches. Use multiple covers for speed rails longer than 42". (NOTE: Double speed rail locking covers are actually just two single speed rail locking covers.)



DSRC- X