



AM SERVICE TRAINING

Featuring the
IM-500SAA



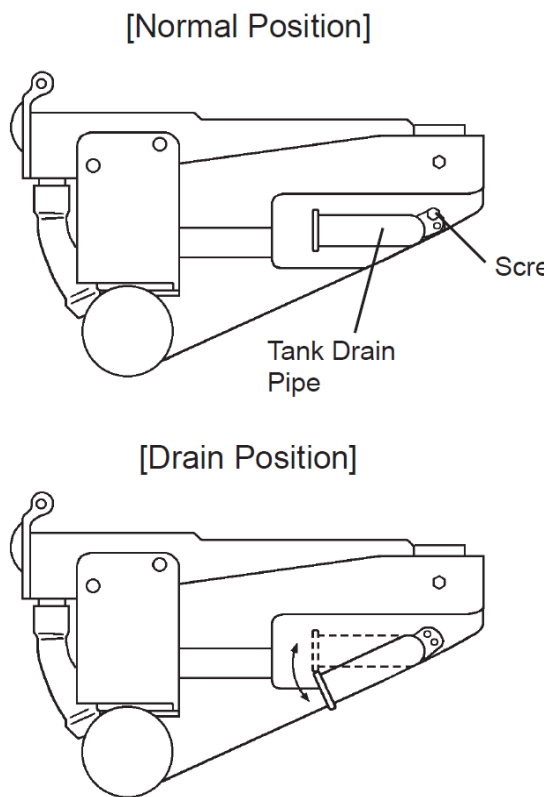


Fig. 5

1) Dilute approximately 7.2 fl. oz. (214 ml) of recommended cleaner Hoshizaki “Scale Away” with 0.8 gal. (3.0 lit.) of water.

2) Turn off the power supply.

3) Remove all ice from the storage bin.

4) Remove the front panel.

5) Remove the screw, and then move the water tank drain pipe to the drain position. See Fig. 5. Use the screw to secure the water tank drain pipe in the drain position.

6) Make sure the control switch is in the “ICE” position, and then replace the front panel.

7) Close the icemaker water supply line shutoff valve.

8) Turn on the power supply for 3 minutes. The water tank drains and cubes are removed from the evaporator.

9) Turn off the power supply.

10) Remove the front panel and top panel.

11) Move the control switch to the “WASH” position.

12) Slowly pour the cleaning solution over the top of the evaporator and into the water tank. Do not splash or spill the solution onto other parts.

13) Replace the front panel and top panel in their correct positions.

14) Turn on the power supply to start the washing process.

15) Turn off the power supply after 30 minutes.

16) Open the icemaker water supply line shut-off valve. See Fig. 4.

17) Remove the front panel.

18) Move the control switch to the "ICE" position.

19) Replace the front panel.

20) Turn on the power supply for 3 minutes. The water tank drains.

21) Turn off the power supply.

22) Repeat steps 20 and 21 three more times to rinse thoroughly.

SANITIZING:

1) Dilute a 5.25% sodium hypochlorite solution (chlorine bleach) with water (add approximately 0.4 fl . oz. (12 ml) to 0.8 gal. (3.0 lit.) of water).

2) Close the icemaker water supply line shut-off valve.

3) Turn on the power supply for 3 minutes. The water tank drains.

4) Turn off the power supply.

- 5) Remove the front panel and top panel.
- 6) Move the control switch to the “WASH” position.
- 7) Slowly pour the sanitizing solution over the top of the evaporator and into the water tank. Do not splash or spill the solution onto other parts.
- 8) Replace the front panel and top panel in their correct positions.
- 9) Turn on the power supply to start the sanitizing process.
- 10) Turn off the power supply after 15 minutes.
- 11) Open the icemaker water supply line shut-off valve.
- 12) Remove the front panel.
- 13) Move the control switch to the “ICE” position.
- 14) Replace the front panel.
- 15) Turn on the power supply for 3 minutes. The water tank drains.
- 16) Turn off the power supply.
- 17) Repeat steps 15 and 16 three more times to rinse thoroughly.
- 18) Repeat steps 1 through 17 one more time.
- 19) Remove the front panel.
- 20) Remove the screw, then move the water tank drain pipe to the normal position. See Fig. 5. Use the screw to secure the water tank drain pipe in the normal position.

- 21) Replace the front panel.
- 22) Clean the storage bin liner using a neutral cleaner. Rinse thoroughly after cleaning.
- 23) Turn on the power supply to start the automatic ice making process.