

Project: _____	AIA# _____
Item #: _____ Qty: _____	SIS# _____
Model #: _____	

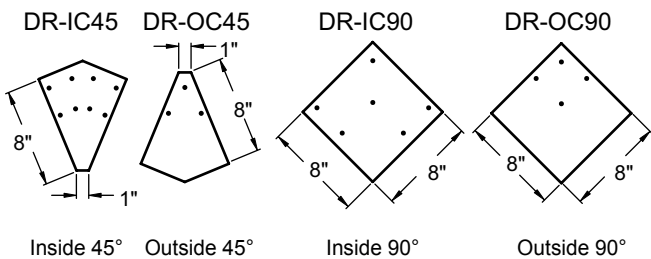
## Drink Rails



DR-36L



### Corner Filler Model Numbers and Dimensions

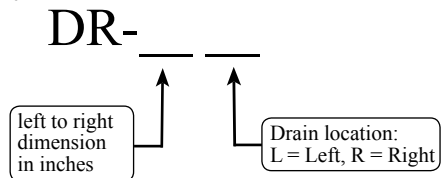


DR-12L, DR-12R, DR-18L, DR-18R, DR-24L, DR-24R, DR-30L, DR-30R, DR-36L, DR-36R, DR-42L, DR-42R, DR-48L, DR-48R

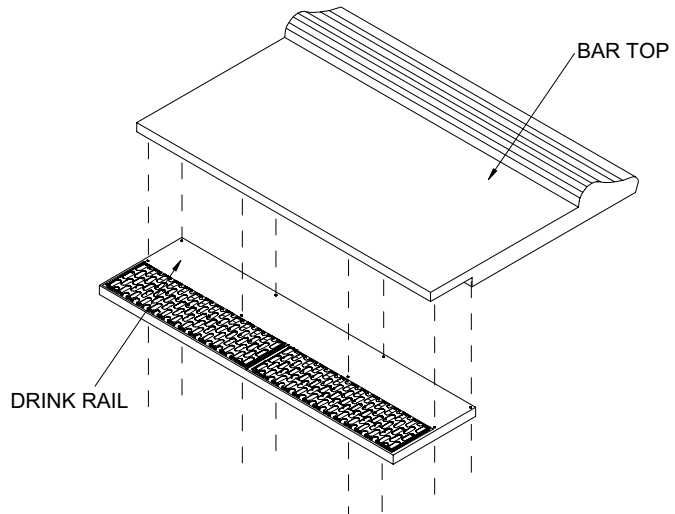
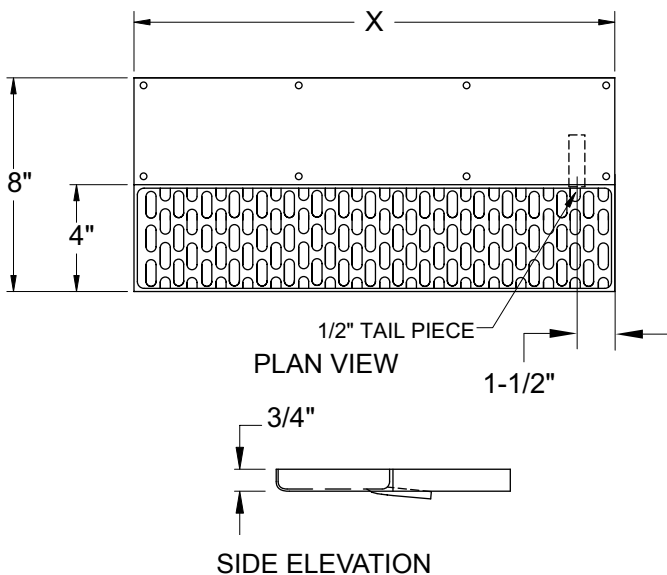
### Standard Features

- All stainless steel construction
- 18 gauge stainless steel pan with removable perforated insert (corner units are flat fillers)
- 30" and 36" models have one gusset and 42" and 48" models have two gussets for added strength
- Drain consists of 1/2" tailpiece that exits from the back of the unit
- 45° and 90° inside and outside corner filler sections available
- Installation kit includes: 10' of clear vinyl drain tube, one 4" Ty-wrap, three #10 x 1/2 stainless steel sheet metal screws, three cable clamps and one 1/2" x 1/2" x 1/2" plastic tee, 17 #10 x 1/2 black sheet metal screws

Model Number Key



### Dimensional Information      Installation Detail



Apply silicone sealant to the rear mounting surface of the drink rail. Install unit by securing to underside of bar top with wood screws provided. If installing to material other than wood, use appropriate screws to secure. Plumb drain once installed.

X = Left to right dimension from 12" to 48", in 6" increments

<p><b>Glastender, Inc.</b> • 5400 North Michigan Road • Saginaw, MI • 48604-9780          989.752.4275 • 800.748.0423 • Fax 989.752.4444          www.glastender.com</p>	<p>Approval/Notes:</p>
<p>Specifications subject to change without notice. For current specifications please visit our website.</p>	