



DHSB-12



HSA-12-D



**Intertek**

4004503  
 Conforms to ANSI/NSF STD 2  
 Certified to CSA/CAN STD B45.4

**All faucets are NSF/ANSI 61, Annex G low lead compliant**

Project: _____	AIA# _____
Item #: _____ Qty: _____	SIS# _____
Model #: _____	

## Single Bowl Sinks

Hand Sink Models: HSA-12, HSA-12-D, HSA-18, HSB-12, HSB-12-D, HSB-12-AD, HSB-18, DHSA-18, DHSB-12, DHSB-18  
 Wet Waste Sink Models: SWA-12, SWA-18, SWB-12, SWB-18

### Standard Features

- Manufactured with total welded construction to meet NSF® standards
- All stainless steel construction
- One-piece seamless top and backsplash featuring 1/4" radius corners for easy cleaning
- Adjustable stainless steel bullet feet
- 9-1/4" by 11-1/2" by 6" deep sink bowl with hot and cold water faucet
- Faucets are standard and ship mounted
- Models HSA-12-D, HSB-12-D and HSB-12-AD feature a soap dispenser and front skirt mounted C-fold paper towel dispenser
- Models DHSA-18, DHSB-12 and DHSB-18 feature a soap dispenser and hinged front access door to conceal C-fold paper towel dispenser
- All wet waste sink models include a lift-out perforated plastic wet waste strainer
- Soap dispenser is easy refilled from above, no need to crawl under equipment

### Specifications

#### Drain

- 1-1/2" I.P.S. Threaded drain will fit Dearborn part #8033 slipnut and part #W-573P washer.

#### Faucet

- Deck mount on 4" centers, accepts 3/8" sink leads, hot and cold water connections required (excluding Models HSA-12, SWA-12, HSA-12-D, & HSB-12-AD)
- Models HSA-12, SWA-12, HSA-12-D, & HSB-12-AD: Backsplash mounted on 4" centers, accepts 3/8" sink leads, hot and cold water connections required

#### Sink Bowl Dimensions

- 9-1/4" by 11-1/2" by 6" deep

#### Legs

- 1-5/8" diameter, 16 gauge stainless steel
- Stainless steel bullet feet

#### Materials

- 20 gauge stainless steel parts include: all components unless otherwise noted
- 18 gauge stainless steel parts include: leg pads on DHS models

To view underbar installation instructions, please visit: [http://www.glastender.com/PDF/F-750-165\\_Underbar\\_Installation\\_Instructions.pdf](http://www.glastender.com/PDF/F-750-165_Underbar_Installation_Instructions.pdf)  
 To view cleaning and care instructions, please visit: [http://www.glastender.com/PDF/F-423-011\\_ss\\_clean\\_care.pdf](http://www.glastender.com/PDF/F-423-011_ss_clean_care.pdf)

### Product Information

Single bowl sinks are available as hand sinks and wet waste sink models. Hand sink models HSA-12, HSA-18, HSB-12 and HSB-18, feature a standard stainless steel bowl and mounted faucet.

Hand sink models HSA-12-D, HSB-12-D and HSB-12-AD include a soap dispenser and front skirt mounted C-fold paper towel dispenser.

Hand sink models DHSA-18, DHSB-12 and DHSB-18 feature a soap dispenser and hinged front access door to conceal C-fold paper towel dispenser. Paper towels are easily accessed below the door. The access door is only opened for re-loading paper towels into the dispenser.

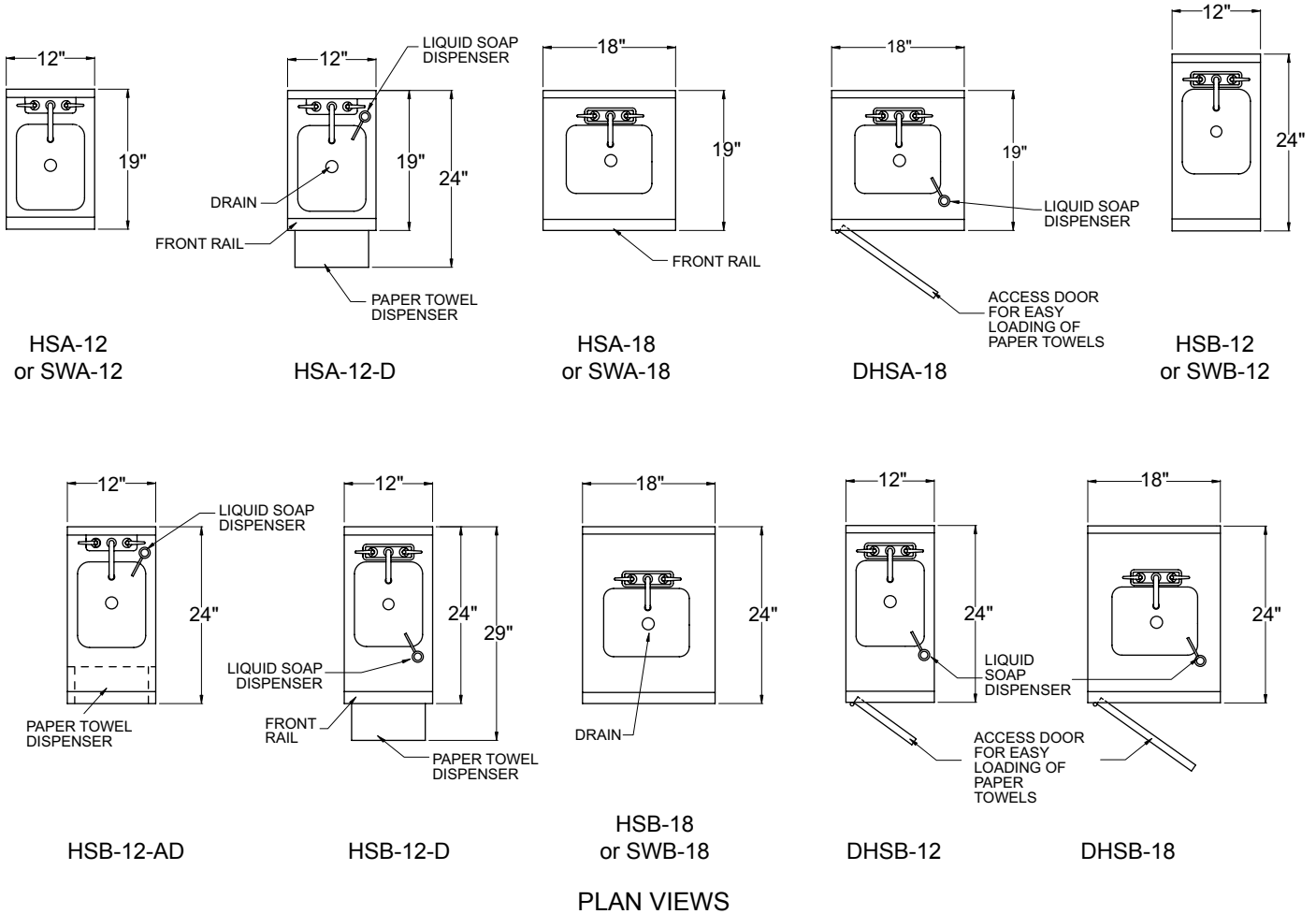
Wet waste sink models SWA-12, SWA-18 and SWB-18 include a lift-out perforated plastic wet waste strainer.

<p><b>Glastender, Inc.</b> • 5400 N Michigan Rd • Saginaw, MI • 48604-9780                  989.752.4275 • 800.748.0423 • Fax 989.752.4444  <a href="http://www.glastender.com">www.glastender.com</a></p>	Approval/Notes:
--	-----------------

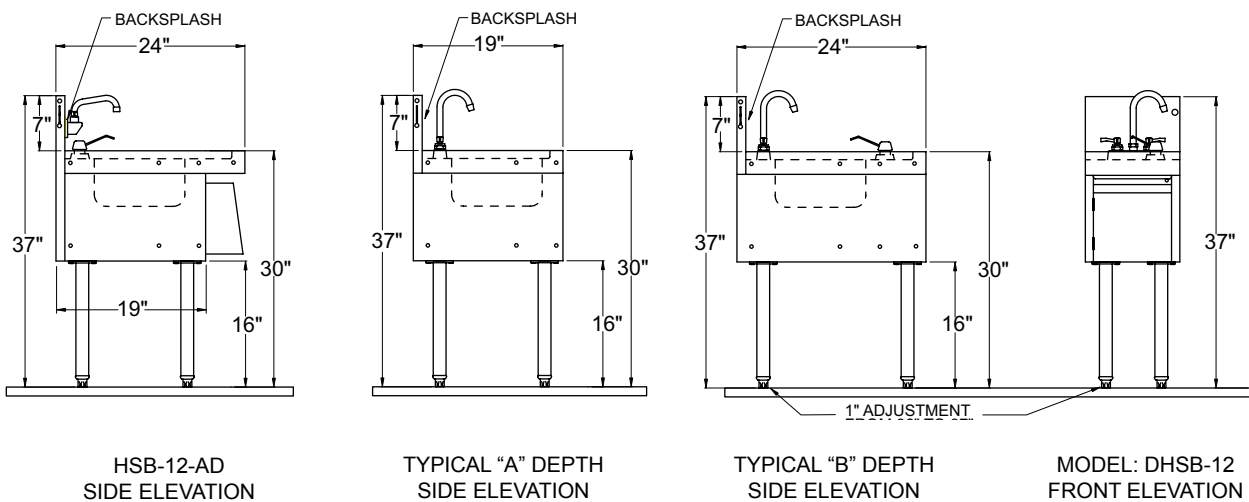
Specifications subject to change without notice. For current specifications please visit our website.

# Single Bowl Sinks

## Dimensional Information



### PLAN VIEWS



### FRONT AND SIDE ELEVATIONS



5400 N Michigan Rd • Saginaw, MI • 48604-9780  
 989.752.4275 • 800.748.0423 • Fax 989.752.4444  
 www.glastender.com

Printed in USA