



Intertek

4004503

Conforms to NSF/ANSI STD 2

BGS-24
shown with TOP-24-S

Project: _____	AIA# _____
Item #: _____ Qty: _____	SIS# _____
Model #: _____	

Back Bar Glass Storage Units

BGS-18, BGS-24, BGS-30, BGS-18-S, BGS-24-S, BGS-30-S

Standard Features

- Back-up glass storage specially designed for the back bar
- Stainless steel interior with black vinyl-clad exterior sides
- For stainless steel exterior sides add '-S' suffix to model number
- Four shelves for maximum storage capacity
- Available with stainless steel or laminated finished top
- Available in 18", 24", and 30" lengths

To view underbar installation instructions, please visit: http://www.glastender.com/PDF/F-750-165_Underbar_Installation_Instructions.pdf
To view cleaning and care instructions, please visit: http://www.glastender.com/PDF/F-423-011_ss_clean_care.pdf

Specifications

Shelving

- Three adjustable stainless steel shelves and one stainless steel floor included

Materials

- 22 gauge black vinyl-clad parts include: exterior sides
- 20 gauge stainless steel parts include: interior side walls and back. (exterior sides on '-S' models)
- 18 gauge stainless steel parts include: top channel, shelf mounting angles, shelves, and floor
- 16 gauge stainless steel parts include: front leg channel
- 16 gauge galvanized steel parts include: rear leg channel
- 16 gauge zinc plated CR steel parts include: leg sockets

Accessories

Legs

- A set of four 6" stainless steel legs with adjustable bullet feet is available, specify accessory model number CLS-4

Kick Rails

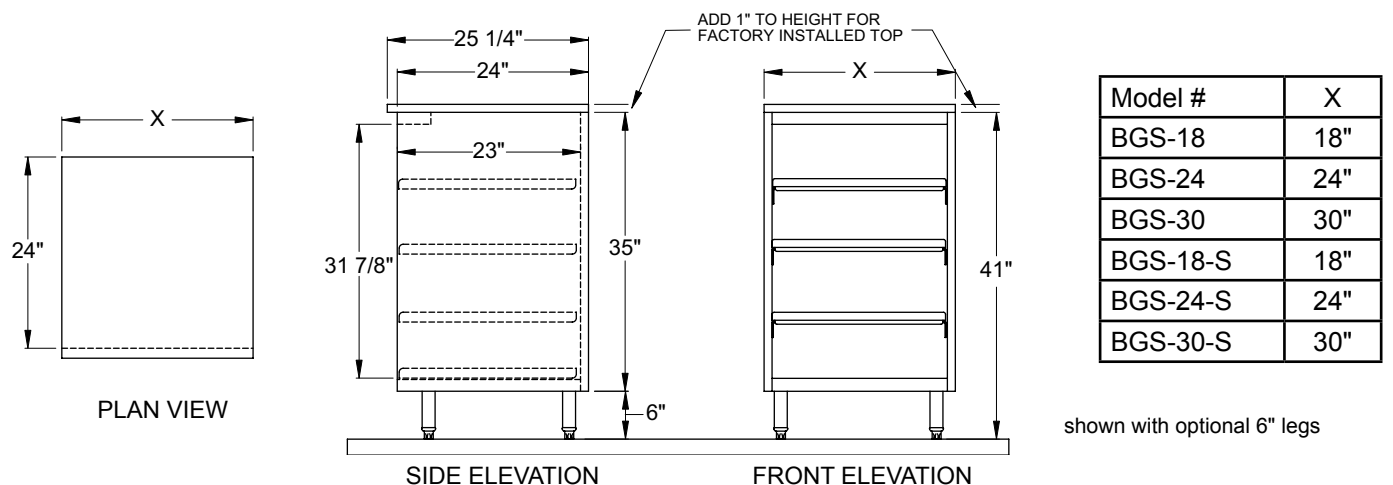
- A stainless steel rick rail to clip to the 6" legs is available, specify accessory model number CKR-*

Finished Tops

- Stainless steel top available, specify accessory model number TOP-*-S
- Laminated top available, specify accessory model number TOP-*-L

* Specify length in inches

Dimensional Information



Glastender, Inc. • 5400 N Michigan Rd • Saginaw, MI • 48604-9780
989.752.4275 • 800.748.0423 • Fax 989.752.4444
www.glastender.com

Approval/Notes:

Specifications subject to change without notice. For current specifications please visit our website.